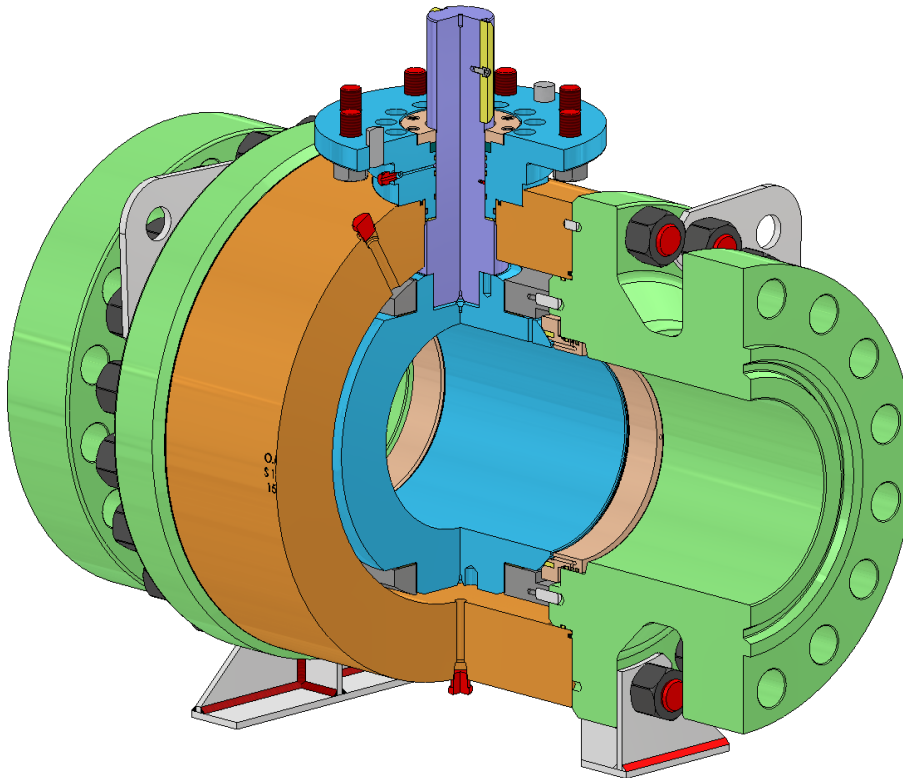
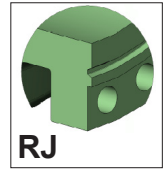
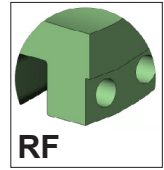


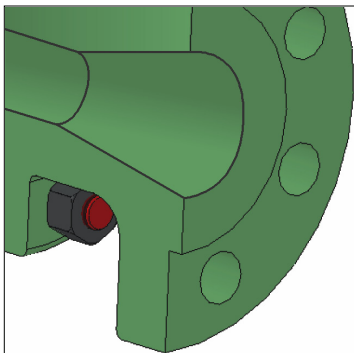
Full Bore



Ends Available



Red Bore



Features

Split body trunnion ball valves have been specifically designed for off-shore & on-shore platforms, (such as gas, oil, hydrocarbons, water, sour fluids) refinery, seawater and severe service for the chemical and petroleum industries. Split body trunnion ball valves assure top reliability and safety even under severe environmental conditions.

- Two or three piece bolted bonnet design, in accordance with the applicable standards.
- Rigid and robust construction, resistance to piping bending forces with trunnions are supported by self lubricated bearings.
- Fluid handled: water, sour or sweet crude oils and gases, dangerous/corrosive fluids, etc.
- Fire safe certified in accordance with BS 6755/API 607.
- Great versatility: the valves, with "ad hoc" modifications, can be supplied:
 - **metal to metal seated for high temperature service;**
 - **for sub sea service;**
 - **with special lip seals (typically for low temperature);**
 - **with tungsten carbide, ENP or Stellite coated seats;**
 - **for throttling service.**
- **For this valve is available also the cryogenic version.**
- Better performance.
- Low torque.
- Smooth operation.
- Long life in all service conditions.

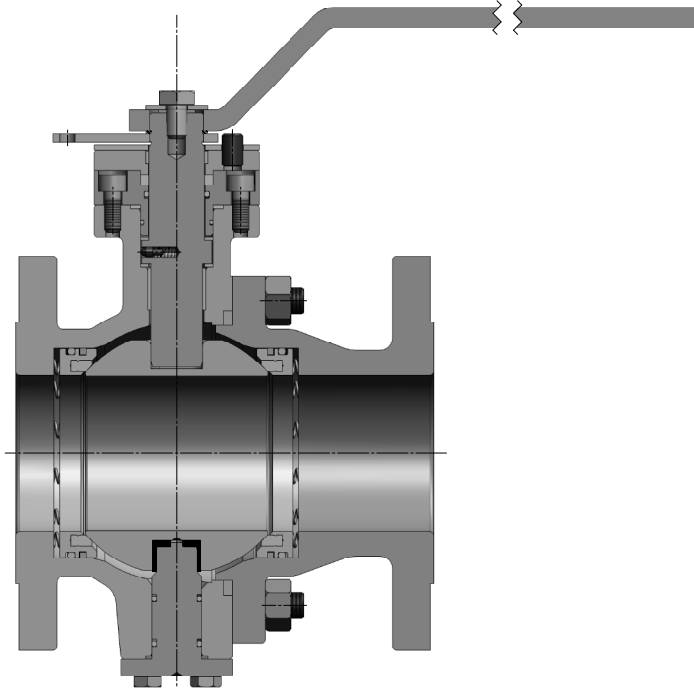


Split Body Trunnion

OMS Saleri S.p.A.

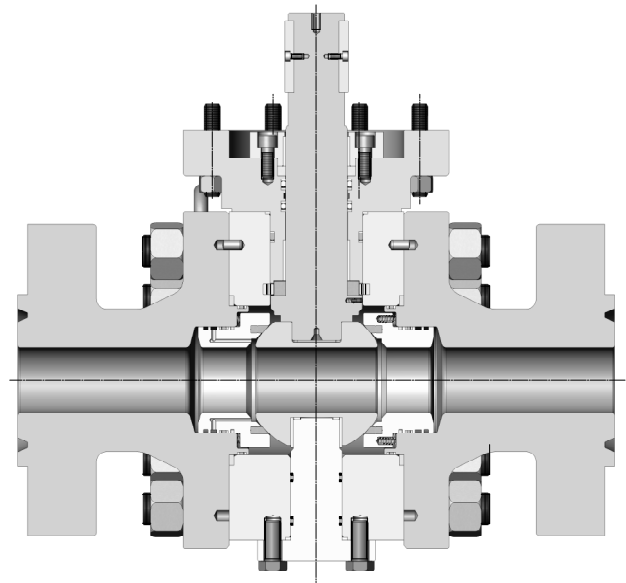
Via Valle Sabbia, 2
25076 Odolo (BS) Italy
Phone +39.0365.826610 r.a.
Fax +39.0365.826613
www.oms-saleri.it
e-mail: info@oms-saleri.it

Valve Design



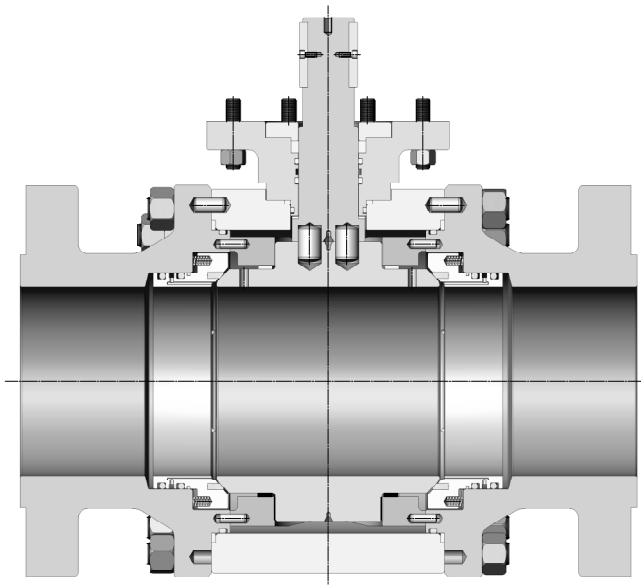
2 PIECES

- 2" to 4" Full Bore only
Class 150# & 300#



3 PIECES

- 2" Full Bore
class 600# to 1500# &
API 6A 5000 PSI
- 2" - 3" Reduced Bore
class 600# TO 2500# &
API 6A 5000 PSI



3 PIECES

- 3" & Above Full Bore
class 600# to 2500# &
API 6A 5000 to 15000 PSI
- 4" & Above Reduced Bore
class 600# to 2500# &
API 6A 5000 to 15000 PSI
- 6" & Above Reduced Bore
class 150# to 2500# &
API 6A 5000 to 15000 PSI



Split Body Trunnion

S7100T / S7200T / S7500 CR T / S7600 T HT

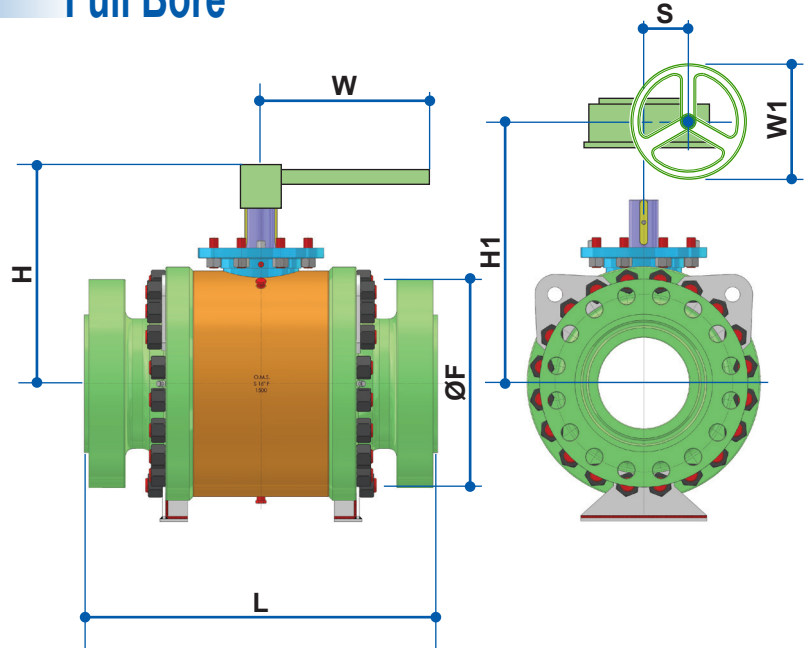
OMS Saleri S.p.A.

Via Valle Sabbia, 2
25076 Odolo (BS) Italy
Phone +39.0365.826610 r.a.
Fax +39.0365.826613
www.oms-saleri.it
e-mail: info@oms-saleri.it

Notes

Full Bore

- All dimensions are in "mm".
- Here are indicated only standard valves dimensions; valves of other dimensions can be supplied on request.
- All weights are in "kg".
- Indicated weight does not include the valve opening/closing systems (levers, gear operators, actuators, etc...).
- Other dimensions available on request



Ansi class 150

SIZE (inch)	BORE	FACE TO FACE			ØF	H	H1	W	W1	S	WGT (kg)
		L-RF	L-RJ	L-BW							
2	51	178	190	216	152	156	-	350	-	-	12
3	77	203	216	283	191	217	-	450	-	-	24
4	102	229	241	305	229	237	-	450	-	-	37
6	152	394	407	457	279	-	261	-	400	66	156
8	203	457	470	521	343	-	308	-	500	84	282
10	254	533	546	559	406	-	404	-	500	84	452
12	305	610	622	635	483	-	461	-	700	93	671
14	337	686	698	762	533	-	468	-	800	105	959
16	387	762	775	838	597	-	504	-	500	105	1367
18	438	864	876	914	635	-	602	-	800	129	1933
20	489	914	927	991	699	-	650	-	800	129	2436
24	591	1067	1079	1143	813	-	725	-	800	129	3540
26	635	1143	-	1245	870	-	790	-	800	233	3961
28	686	1244	-	1347	925	-	835	-	800	233	4720
30	736	1295	-	1397	985	-	870	-	800	216	6038
32	781	1371	-	1524	1060	-	914	-	800	300	7440
34	832	1473	-	1626	1110	-	928	-	800	300	8450
36	876	1524	-	1728	1170	-	985	-	1400	400	9465
40	978	1753	-	1956	1289	-	1061	-	1400	400	12740
42	1022	1855	-	2083	1346	-	1113	-	1400	400	14550
48	1168	2134	-	2388	1511	-	1217	-	1400	400	21780
60	-	2540	-	-	-	-	-	-	-	-	36740

Date: 15-12-2009 O.M.S. Saleri S.p.A.

- The specification and drawings herein are indicative and not binding; the right is reserved to modify them at any time without prior notice



Split Body Trunnion

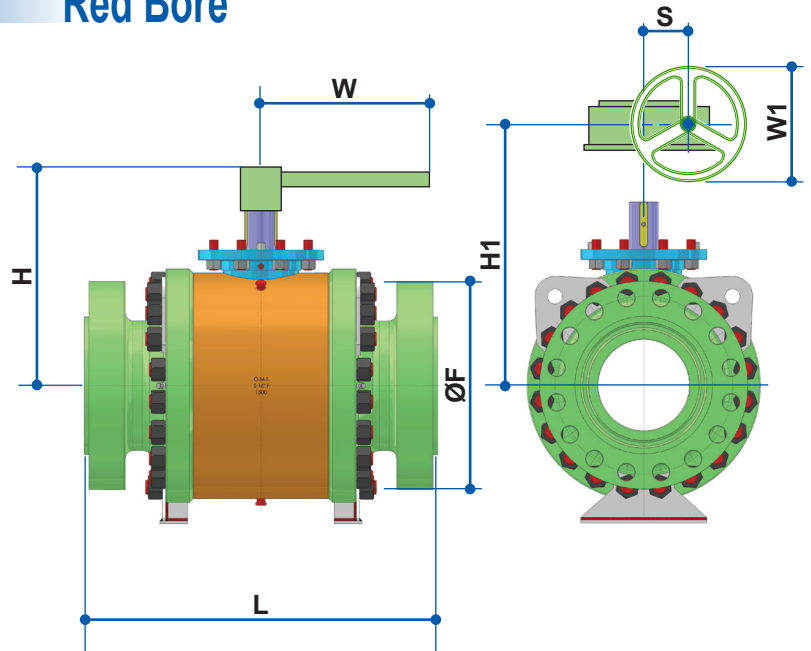
S7100T / S7200T / S7500 CR T / S7600 T HT

OMS Saleri S.p.A.

Via Valle Sabbia, 2
25076 Odolo (BS) Italy
Phone +39.0365.826610 r.a.
Fax +39.0365.826613
www.oms-saleri.it
e-mail: info@oms-saleri.it

Notes Red Bore

- All dimensions are in "mm".
- Here are indicated only standard valves dimensions; valves of other dimensions can be supplied on request.
- All weights are in "kg".
- Indicated weight does not include the valve opening/closing systems (levers, gear operators, actuators, etc...).
- Other dimensions available on request



Dimensions Ansi class 150

SIZE (inch)	BORE	FACE TO FACE			ØF	H	H1	W	W1	S	WGT (kg)
		L-RF	L-RJ	L-BW							
6	102	394	407	457	279	258	222	800	300	52	118
8	152	457	470	521	343	-	261	-	400	66	174
10	203	533	546	559	406	-	307	-	500	84	361
12	254	610	622	635	483	-	396	-	500	84	526
14	254	686	698	762	533	-	396	-	800	84	569
16	305	762	775	838	597	-	439	-	700	93	776
18	337	864	876	914	635	-	491	-	800	93	1107
20	388	914	927	991	699	-	524	-	500	105	1648
24	490	1067	1079	1143	813	-	685	-	800	129	2560
26	490	1143	-	1245	870	-	685	-	800	129	3115
28	591	1244	-	1347	925	-	710	-	800	191	3670
30	591	1295	-	1397	985	-	710	-	800	191	4225
32	591	1371	-	1524	1060	-	710	-	800	191	4607
34	635	1473	-	1626	1110	-	740	-	800	191	5461
36	736	1524	-	1728	1170	-	850	-	800	261	6315
40	876	1753	-	1956	1289	-	985	-	1400	400	10000
42	876	1855	-	2083	1346	-	985	-	1400	400	10500
48	1022	2134	-	2388	1511	-	1130	-	1400	400	15150

Date: 15-12-2009 O.M.S. Saleri S.p.A.

- The specification and drawings herein are indicative and not binding; the right is reserved to modify them at any time without prior notice



Split Body Trunnion

S7100T / S7200T / S7500 CR T / S7600 T HT

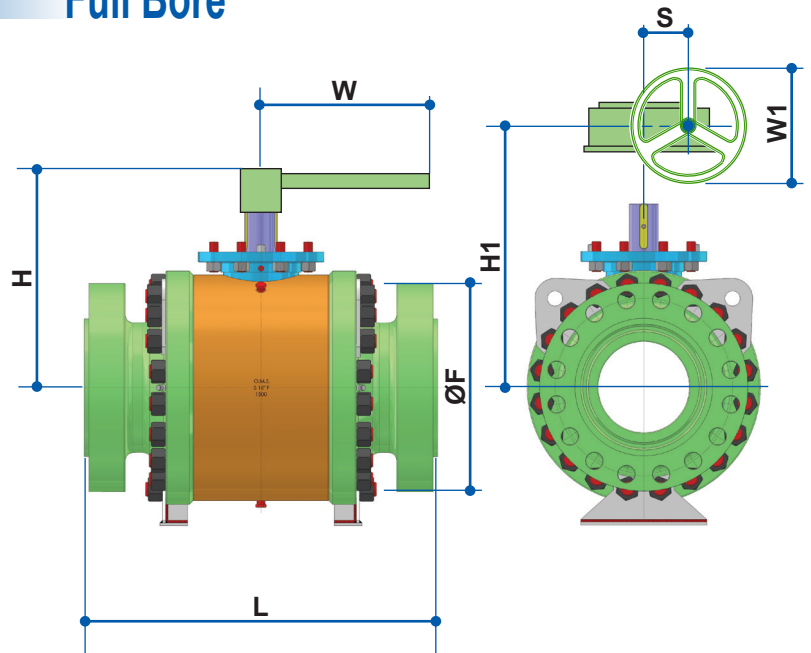
OMS Saleri S.p.A.

Via Valle Sabbia, 2
25076 Odolo (BS) Italy
Phone +39.0365.826610 r.a.
Fax +39.0365.826613
www.oms-saleri.it
e-mail: info@oms-saleri.it

Notes Full Bore

- All dimensions are in "mm".
- Here are indicated only standard valves dimensions; valves of other dimensions can be supplied on request.
- All weights are in "kg".
- Indicated weight does not include the valve opening/closing systems (levers, gear operators, actuators, etc...).

- Other dimensions available on request



Dimensions Ansi class 300

SIZE (inch)	BORE	FACE TO FACE			ØF	H	H1	W	W1	S	WGT (kg)
		L-RF	L-RJ	L-BW							
2	51	216	232	216	165	153	-	380	-	-	14
3	77	283	298	283	210	202	-	450	-	-	30
4	102	305	321	305	254	220	-	450	-	-	54
6	152	403	419	457	318	-	261	-	400	66	178
8	203	502	517	521	381	-	355	-	700	93	335
10	254	568	584	559	445	-	418	-	700	93	523
12	305	648	664	635	521	-	461	-	800	105	776
14	337	762	778	762	584	-	477	-	500	105	1160
16	387	838	854	838	648	-	554	-	500	129	1618
18	438	914	930	914	711	-	695	-	800	174	2228
20	489	991	1010	991	775	-	637	-	800	174	2685
24	591	1143	1165	1143	914	-	695	-	800	174	3985
26	635	1245	1270	1245	972	-	785	-	800	261	4395
28	686	1347	1372	1347	1035	-	805	-	800	261	5356
30	736	1397	1422	1397	1092	-	840	-	800	300	6318
32	781	1524	1553	1524	1149	-	894	-	800	300	7615
34	832	1626	1654	1626	1206,5	-	928	-	800	300	8913
36	876	1728	1756	1728	1270	-	965	-	800	300	10210
40	978	1956	-	1956	1238	-	894	-	1400	400	13985
42	1022	2083	-	2083	1289	-	928	-	1400	400	16320
48	1168	2170	-	2388	1467	-	965	-	1400	400	24375
54	-	2400	-	-	-	-	-	-	-	-	33000
66	-	2700	-	-	-	-	-	-	-	-	48379

- The specification and drawings herein are indicative and not binding; the right is reserved to modify them at any time without prior notice



Split Body Trunnion

S7100T / S7200T / S7500 CR T / S7600 T HT

OMS Saleri S.p.A.

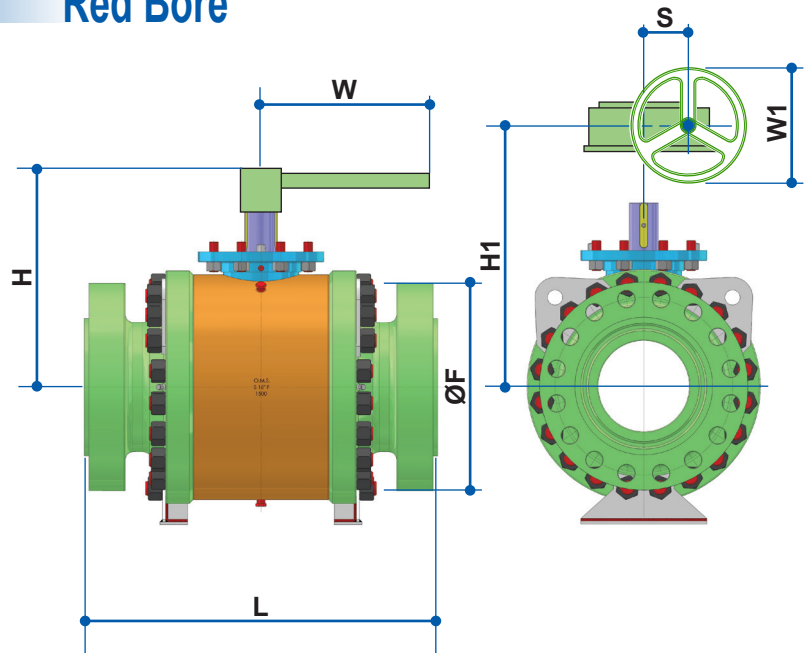
Via Valle Sabbia, 2
25076 Odolo (BS) Italy
Phone +39.0365.826610 r.a.
Fax +39.0365.826613
www.oms-saleri.it
e-mail: info@oms-saleri.it

Notes

- All dimensions are in "mm".
- Here are indicated only standard valves dimensions; valves of other dimensions can be supplied on request.
- All weights are in "kg".
- Indicated weight does not include the valve opening/closing systems (levers, gear operators, actuators, etc...).

- Other dimensions available on request

Red Bore



Dimensions

Ansi class 300

SIZE (inch)	BORE	FACE TO FACE			ØF	H	H1	W	W1	S	WGT (kg)
		L-RF	L-RJ	L-BW							
6	102	403	419	457	318	258	255	800	300	52	133
8	152	502	517	521	381	-	261	-	400	66	204
10	203	568	584	559	445	-	355	-	700	93	406
12	254	648	664	635	521	-	418	-	700	93	591
14	254	762	778	762	584	-	418	-	700	93	659
16	305	838	854	838	648	-	461	-	800	105	906
18	337	914	930	914	711	-	477	-	500	105	1346
20	388	991	1010	991	775	-	554	-	500	129	1787
24	490	1143	1165	1143	914	-	650	-	800	174	3025
26	490	1245	1270	1245	972	-	650	-	800	174	3175
28	591	1347	1372	1347	1035	-	725	-	800	233	4463
30	591	1397	1422	1397	1092	-	725	-	800	233	4675
32	591	1524	1553	1524	1149	-	725	-	800	233	6404
34	635	1626	1654	1626	1206,5	-	790	-	800	261	7408
36	736	1728	1756	1728	1270	-	870	-	800	300	8557
40	876	1956	-	1956	1238	-	985	-	1400	400	9633
42	876	2083	-	2083	1289	-	985	-	1400	400	10710
48	1022	2170	-	2388	1467	-	1113	-	1400	400	17350

Date: 15-12-2009 O.M.S. Saleri S.p.A.

- The specification and drawings herein are indicative and not binding: the right is reserved to modify them at any time without prior notice



Split Body Trunnion

S7100T / S7200T / S7500 CR T / S7600 T HT

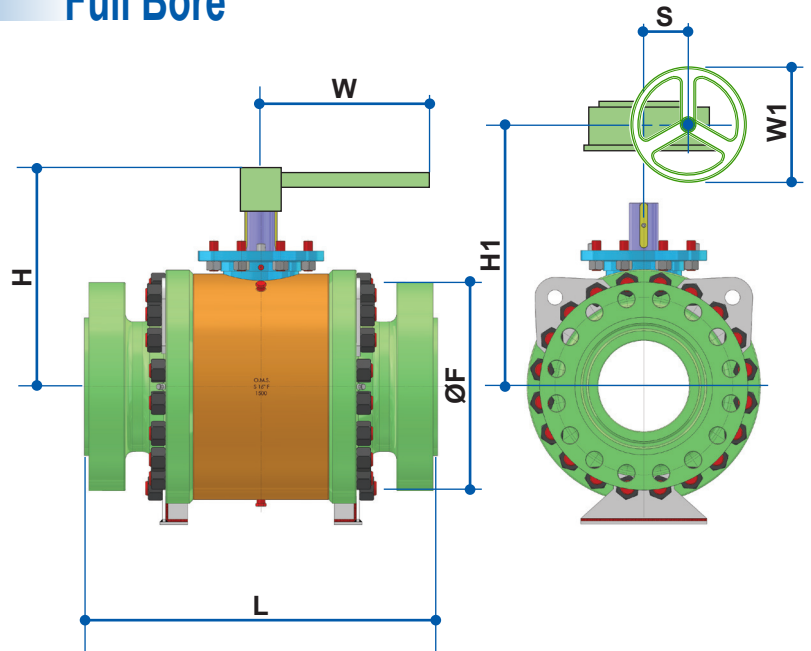
OMS Saleri S.p.A.

Via Valle Sabbia, 2
25076 Odolo (BS) Italy
Phone +39.0365.826610 r.a.
Fax +39.0365.826613
www.oms-saleri.it
e-mail: info@oms-saleri.it

Notes

Full Bore

- All dimensions are in "mm".
- Here are indicated only standard valves dimensions; valves of other dimensions can be supplied on request.
- All weights are in "kg".
- Indicated weight does not include the valve opening/closing systems (levers, gear operators, actuators, etc...).
- Other dimensions available on request



Dimensions

Ansi class 600

SIZE (inch)	BORE	FACE TO FACE			ØF	H	H1	W	W1	S	WGT (kg)
		L-RF	L-RJ	L-BW							
2	51	292	295	292	165	172	203	450	300	52	32
3	77	356	359	356	210	247	217	800	300	52	85
4	102	432	435	432	273	266	240	800	400	66	159
6	152	559	562	559	356	-	321	-	400	66	281
8	203	660	664	660	419	-	385	-	800	105	459
10	254	787	791	787	508	-	416	-	500	105	819
12	305	838	841	838	559	-	466	-	500	105	1008
14	337	889	892	889	603	-	532	-	800	129	1516
16	387	991	994	991	686	-	609	-	800	174	2150
18	438	1092	1095	1092	743	-	654	-	800	191	2640
20	489	1194	1200	1194	813	-	695	-	800	233	3060
24	591	1397	1406	1397	940	-	727	-	800	261	5969
26	635	1448	1460	1448	1015	-	777	-	800	300	6925
28	686	1549	1562	1549	1075	-	827	-	800	300	7437
30	736	1651	1664	1651	1130	-	885	-	1000	300	7950
32	781	1778	1794	1778	1195	-	952	-	1000	300	10080
34	832	1930	1946	1930	1245	-	956	-	1000	300	12736
36	876	2083	2098	2083	1315	-	994	-	1000	300	15390
40	978	2337	2337	2337	1321	-	1212	-	1400	400	18592
42	1022	2437	2437	2437	1403	-	1354	-	1400	400	21600
48	1168	2540	2540	2540	1594	-	1555	-	1400	400	31593
56	1384	2949	-	-	-	-	-	-	-	-	47298

Date: 15-12-2009 O.M.S. Saleri S.p.A.

- The specification and drawings herein are indicative and not binding; the right is reserved to modify them at any time without prior notice



Split Body Trunnion

S7100T / S7200T / S7500 CR T / S7600 T HT

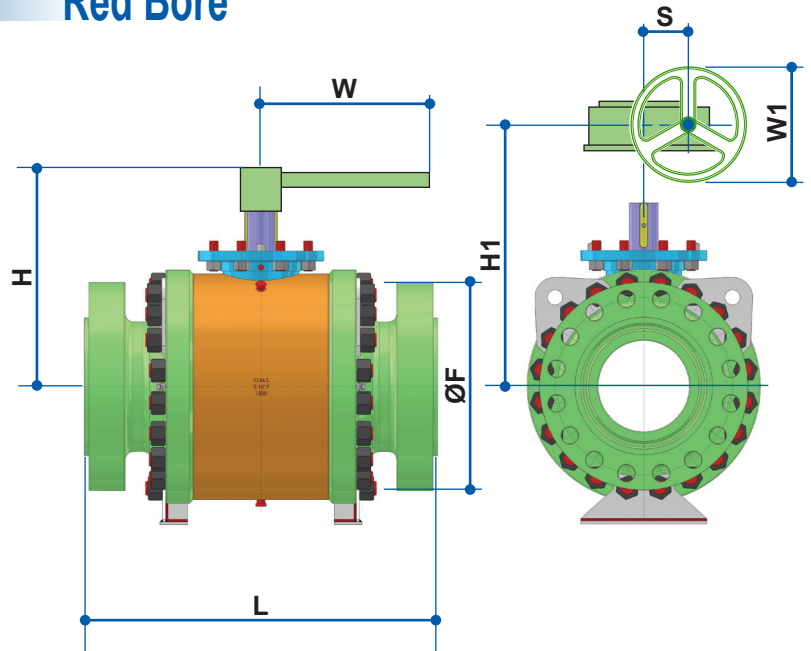
OMS Saleri S.p.A.

Via Valle Sabbia, 2
25076 Odole (BS) Italy
Phone +39.0365.826610 r.a.
Fax +39.0365.826613
www.oms-saleri.it
e-mail: info@oms-saleri.it

Notes

Red Bore

- All dimensions are in "mm".
- Here are indicated only standard valves dimensions; valves of other dimensions can be supplied on request.
- All weights are in "kg".
- Indicated weight does not include the valve opening/closing systems (levers, gear operators, actuators, etc...).
- Other dimensions available on request



Dimensions

Ansi class 600

SIZE (inch)	BORE	FACE TO FACE			ØF	H	H1	W	W1	S	WGT (kg)
		L-RF	L-RJ	L-BW							
2	38	292	295	292	165	152	180	380	300	52	25
3	51	356	359	356	210	172	203	450	300	52	42
4	77	432	435	432	273	247	217	800	300	52	124
6	102	559	562	559	356	-	240	-	400	66	198
8	152	660	664	660	419	-	321	-	700	93	335
10	203	787	791	787	508	-	385	-	800	105	543
12	254	838	841	838	559	-	416	-	500	105	910
14	254	889	892	889	603	-	416	-	500	105	1037
16	305	991	994	991	686	-	466	-	500	105	1265
18	337	1092	1095	1092	743	-	532	-	800	129	1870
20	388	1194	1200	1194	813	-	609	-	800	174	2400
24	490	1397	1406	1397	940	-	685	-	800	233	3410
26	490	1448	1460	1448	1015	-	685	-	800	233	3610
28	591	1549	1562	1549	1075	-	776	-	800	261	6560
30	591	1651	1664	1651	1130	-	776	-	800	261	6470
32	591	1778	1794	1778	1195	-	776	-	800	261	6628
34	635	1930	1946	1930	1245	-	847	-	800	300	7100
36	736	2083	2098	2083	1315	-	885	-	1000	300	11620
40	876	2337	2337	2337	1321	-	995	-	1400	400	17620
42	876	2437	2437	2437	1403	-	995	-	1400	400	18350
48	1022	2540	2540	2540	1594	-	1350	-	1400	400	22650

Date: 15-12-2009 O.M.S. Saleri S.p.A.

- The specification and drawings herein are indicative and not binding; the right is reserved to modify them at any time without prior notice



Split Body Trunnion

S7100T / S7200T / S7500 CR T / S7600 T HT

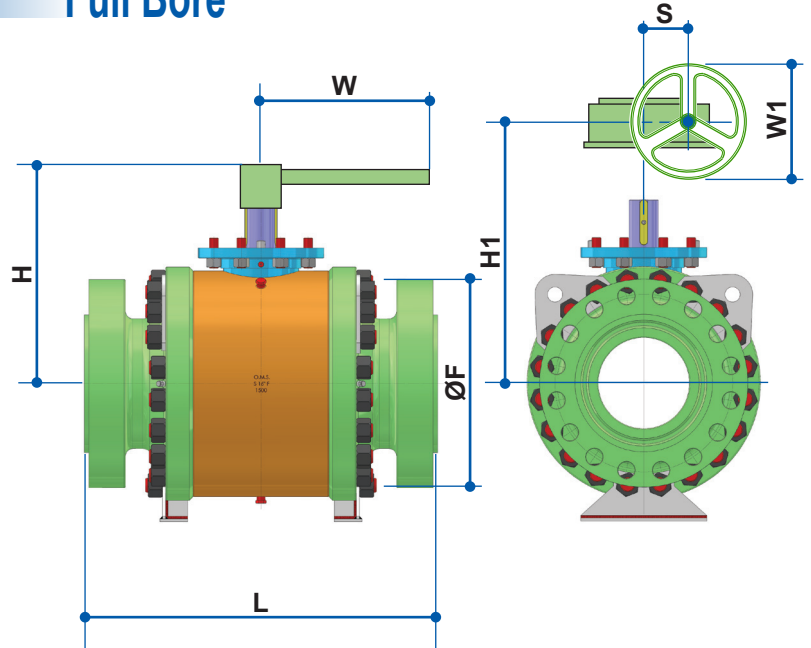
OMS Saleri S.p.A.

Via Valle Sabbia, 2
25076 Odolo (BS) Italy
Phone +39.0365.826610 r.a.
Fax +39.0365.826613
www.oms-saleri.it
e-mail: info@oms-saleri.it

Notes

- All dimensions are in "mm".
- Here are indicated only standard valves dimensions; valves of other dimensions can be supplied on request.
- All weights are in "kg".
- Indicated weight does not include the valve opening/closing systems (levers, gear operators, actuators, etc...).
- Other dimensions available on request

Full Bore



Dimensions

Ansi class 900

SIZE (inch)	BORE	FACE TO FACE			ØF	H	H1	W	W1	S	WGT (kg)
		L-RF	L-RJ	L-BW							
2	51	368	371	368	216	172	203	450	300	52	45
3	77	381	384	381	242	347	217	800	300	52	115
4	102	457	460	457	292	266	240	800	400	66	175
6	152	610	613	610	381	-	343	-	700	93	379
8	203	737	740	737	470	-	380	-	500	105	617
10	254	838	841	838	546	-	416	-	500	129	864
12	305	965	968	965	610	-	466	-	500	129	1257
14	324	1029	1038	1029	642	-	460	-	800	174	1807
16	375	1130	1140	1130	705	-	609	-	800	191	2425
18	425	1219	1232	1219	788	-	619	-	800	233	2607
20	473	1321	1333	1321	857	-	725	-	800	119	4180
24	571	1549	1568	1549	1040	-	784	-	800	148	6710
26	619	1651	1674	1651	1086	-	845	-	800	148	8060
28	667	1753	1775	1753	1170	-	887	-	800	148	10000
30	714	1880	1902	1880	1232	-	1052	-	800	148	12375
32	762	2032	2054	2032	1315	-	1098	-	1400	400	14750
34	810	2159	2188	2159	1397	-	1163	-	1400	400	17500
36	857	2286	2315	2286	1460	-	1205	-	1400	400	20187

Date: 15-12-2009 O.M.S. Saleri S.p.A.

- The specification and drawings herein are indicative and not binding; the right is reserved to modify them at any time without prior notice



Split Body Trunnion

S7100T / S7200T / S7500 CR T / S7600 T HT

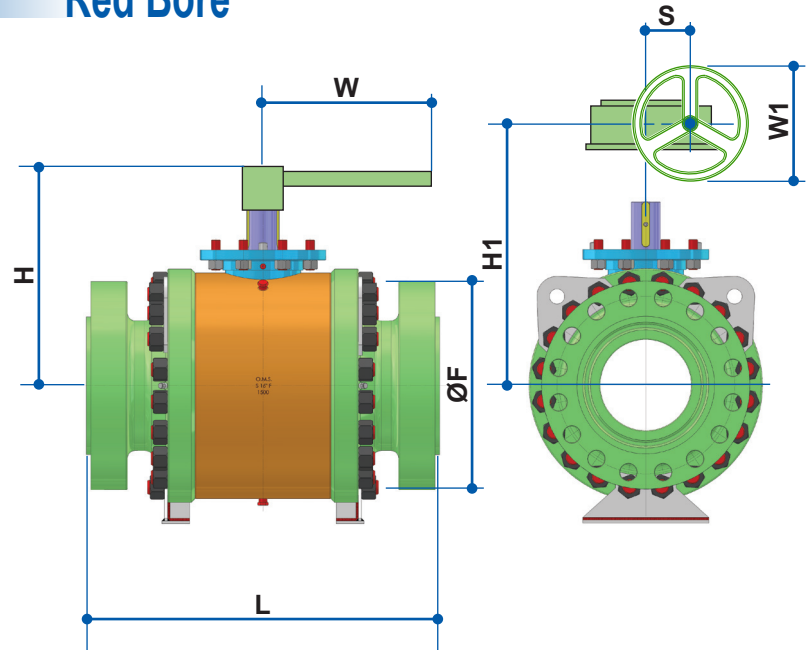
OMS Saleri S.p.A.

Via Valle Sabbia, 2
25076 Odolo (BS) Italy
Phone +39.0365.826610 r.a.
Fax +39.0365.826613
www.oms-saleri.it
e-mail: info@oms-saleri.it

Notes

Red Bore

- All dimensions are in "mm".
- Here are indicated only standard valves dimensions; valves of other dimensions can be supplied on request.
- All weights are in "kg".
- Indicated weight does not include the valve opening/closing systems (levers, gear operators, actuators, etc...).
- Other dimensions available on request



Dimensions

Ansi class 900

SIZE (inch)	BORE	FACE TO FACE			ØF	H	H1	W	W1	S	WGT (kg)
		L-RF	L-RJ	L-BW							
2	38	368	371	368	216	152	180	380	300	52	35
3	51	381	384	381	242	347	203	800	300	52	52
4	77	457	460	457	292	266	217	800	300	52	136
6	102	610	613	610	381	-	240	-	400	66	232
8	152	737	740	737	470	-	343	-	700	93	465
10	203	838	841	838	546	-	380	-	500	105	702
12	254	965	968	965	610	-	416	-	500	129	1001
14	254	1029	1038	1029	642	-	416	-	500	129	1097
16	305	1130	1140	1130	705	-	466	-	500	129	1655
18	337	1219	1232	1219	788	-	532	-	800	174	2189
20	388	1321	1333	1321	857	-	609	-	800	191	2905
24	490	1549	1568	1549	1042	-	725	-	800	261	4870
26	490	1651	1674	1651	1086	-	725	-	800	261	5080
28	591	1753	1775	1753	1170	-	806	-	800	300	7720
30	591	1880	1902	1880	1232	-	806	-	800	300	8010
32	591	2032	2054	2032	1315	-	806	-	1400	400	8230
34	635	2159	2188	2159	1397	-	1003	-	1400	400	13100
36	736	2286	2315	2286	1460	-	1052	-	1400	400	15980

Date: 15-12-2009 O.M.S. Saleri S.p.A.

- The specification and drawings herein are indicative and not binding; the right is reserved to modify them at any time without prior notice



Split Body Trunnion

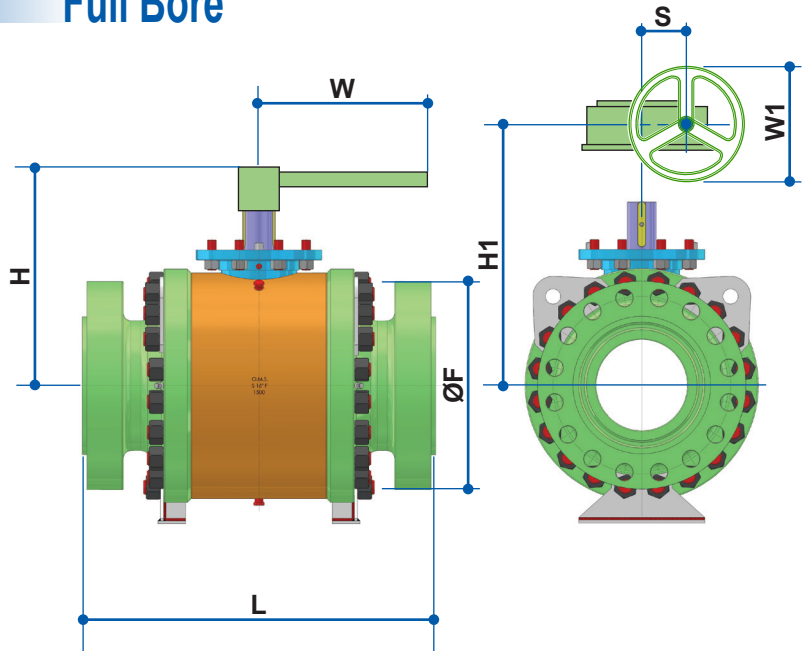
S7100T / S7200T / S7500 CR T / S7600 T HT

OMS Saleri S.p.A.

Via Valle Sabbia, 2
25076 Odolo (BS) Italy
Phone +39.0365.826610 r.a.
Fax +39.0365.826613
www.oms-saleri.it
e-mail: info@oms-saleri.it

Notes Full Bore

- All dimensions are in "mm".
- Here are indicated only standard valves dimensions; valves of other dimensions can be supplied on request.
- All weights are in "kg".
- Indicated weight does not include the valve opening/closing systems (levers, gear operators, actuators, etc...).
- Other dimensions available on request



Dimensions Ansi class 1500

SIZE (inch)	BORE	FACE TO FACE			ØF	H	H1	W	W1	S	WGT (kg)
		L-RF	L-RJ	L-BW							
2	51	368	371	368	216	172	203	450	300	52	45
3	77	470	473	470	267	247	220	800	400	66	143
4	102	546	549	546	311	266	240	900	500	84	208
6	146	705	711	705	394	-	325	-	500	105	434
8	194	832	841	832	483	-	384	-	500	129	746
10	241	991	1000	991	584	-	466	-	800	129	1376
12	289	1130	1146	1130	673	-	515	-	800	174	2027
14	317	1257	1276	1257	750	-	599	-	800	191	2795
16	362	1384	1406	1384	826	-	703	-	800	233	4723
18	407	1537	1559	1537	915	-	726	-	800	261	6340
20	457	1664	1686	1664	984	-	810	-	800	300	9205
24	534	2043	2071	2043	1169	-	950	-	1400	400	14280
26	597	-	-	-	-	-	1090	-	1400	200	19150
28	641	-	-	-	-	-	1230	-	1400	200	24026
30	686	2320	2360	2320	1271	-	1300	-	1400	200	28900
32	730	-	-	-	-	-	1370	-	1400	200	31666
34	775	-	-	-	-	-	1440	-	1400	200	34433
36	819	2743	2785	2743	1470	-	1510	-	1400	200	37200

Date: 15-12-2009 O.M.S. Saleri S.p.A.

- The specification and drawings herein are indicative and not binding; the right is reserved to modify them at any time without prior notice



Split Body Trunnion

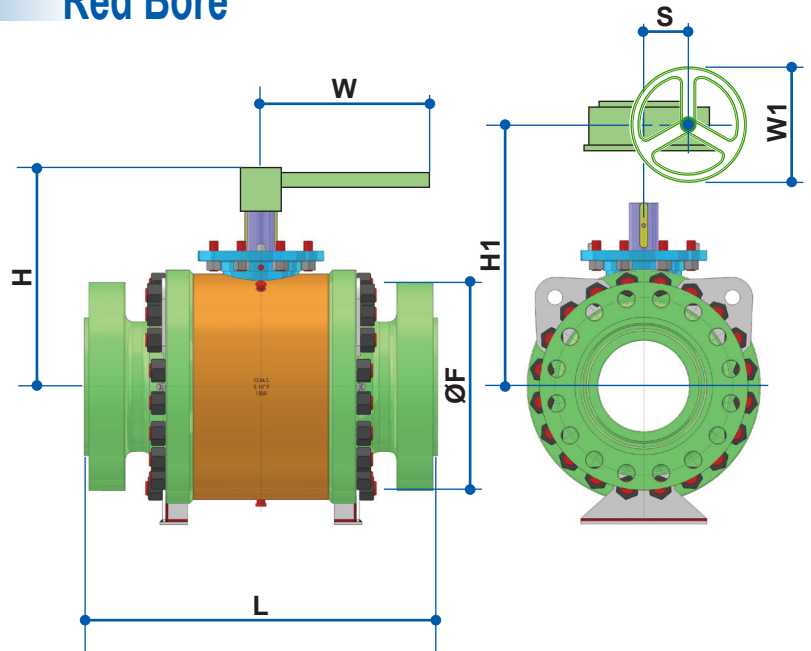
S7100T / S7200T / S7500 CR T / S7600 T HT

OMS Saleri S.p.A.

Via Valle Sabbia, 2
25076 Odolo (BS) Italy
Phone +39.0365.826610 r.a.
Fax +39.0365.826613
www.oms-saleri.it
e-mail: info@oms-saleri.it

Notes Red Bore

- All dimensions are in "mm".
- Here are indicated only standard valves dimensions; valves of other dimensions can be supplied on request.
- All weights are in "kg".
- Indicated weight does not include the valve opening/closing systems (levers, gear operators, actuators, etc...).
- **Other dimensions available on request**



Dimensions Ansi class 1500

SIZE (inch)	BORE	FACE TO FACE			ØF	H	H1	W	W1	S	WGT (kg)
		L-RF	L-RJ	L-BW							
2	38	368	371	368	216	152	180	380	300	52	36
3	51	470	473	470	267	172	203	450	300	52	105
4	77	546	549	546	311	266	220	800	400	66	158
6	102	705	711	705	394	-	220	-	500	84	282
8	146	832	841	832	483	-	270	-	500	105	541
10	194	991	1000	991	584	-	345	-	500	129	1057
12	241	1130	1146	1130	673	-	414	-	800	129	1627
14	241	1257	1276	1257	750	-	466	-	800	129	1890
16	289	1384	1406	1384	826	-	466	-	800	174	2697
18	317	1537	1559	1537	915	-	599	-	800	191	3680
20	362	1664	1686	1664	984	-	703	-	800	233	5640
24	457	2043	2071	2043	1169	-	805	-	800	300	10531
26	597	-	-	-	-	-	907	-	1400	200	11320
28	641	-	-	-	-	-	1009	-	1400	200	15366
30	686	2320	2360	2320	1271	-	1111	-	1400	200	19443
32	730	-	-	-	-	-	1213	-	1400	200	24520
34	775	-	-	-	-	-	1315	-	1400	200	28597
36	819	2743	2785	2743	1470	-	1417	-	1400	200	32674

Date: 15-12-2009 O.M.S. Saleri S.p.A.

- The specification and drawings herein are indicative and not binding: the right is reserved to modify them at any time without prior notice



Split Body Trunnion

S7100T / S7200T / S7500 CR T / S7600 T HT

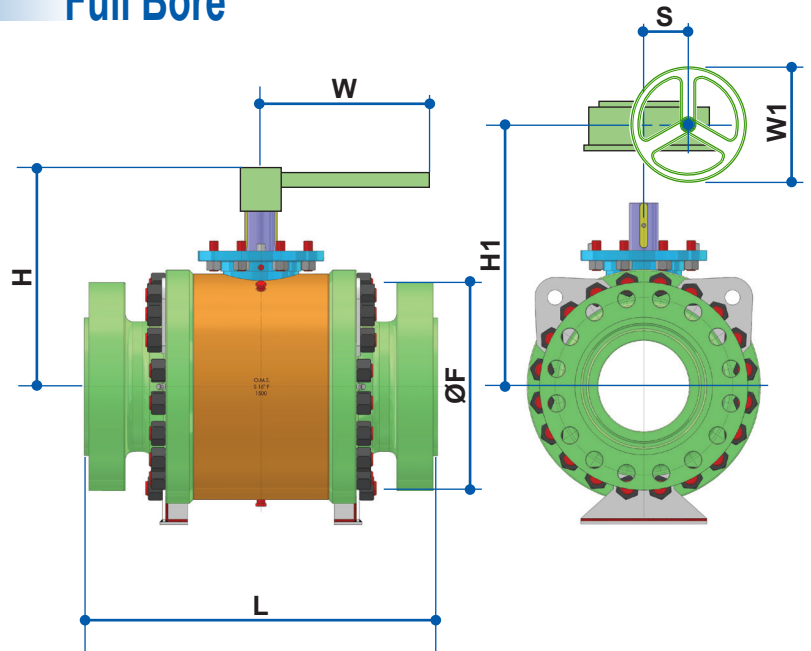
OMS Saleri S.p.A.

Via Valle Sabbia, 2
25076 Odolo (BS) Italy
Phone +39.0365.826610 r.a.
Fax +39.0365.826613
www.oms-saleri.it
e-mail: info@oms-saleri.it

Notes

- All dimensions are in "mm".
- Here are indicated only standard valves dimensions; valves of other dimensions can be supplied on request.
- All weights are in "kg".
- Indicated weight does not include the valve opening/closing systems (levers, gear operators, actuators, etc...).
- Other dimensions available on request

Full Bore



Dimensions

Ansi class 2500

SIZE (inch)	BORE	FACE TO FACE			ØF	H	H1	W	W1	S	WGT (kg)
		L-RF	L-RJ	L-BW							
2	44,5	451	454	451	235	-	195	-	400	66	136
3	63,5	578	584	578	305	-	255	-	500	84	294
4	89	673	683	673	356	-	380	-	700	93	584
6	133	914	927	914	438	-	430	-	500	129	1620
8	181	1022	1038	1022	552	-	530	-	500	174	2370
10	226	1270	1292	1270	673	-	665	-	800	174	3615
12	267	1422	1445	1422	762	-	840	-	800	191	4935
14	311	1575	-	1575	-	-	920	-	800	233	6255
16	352	1683	-	1683	936	-	960	-	800	261	7575



Split Body Trunnion

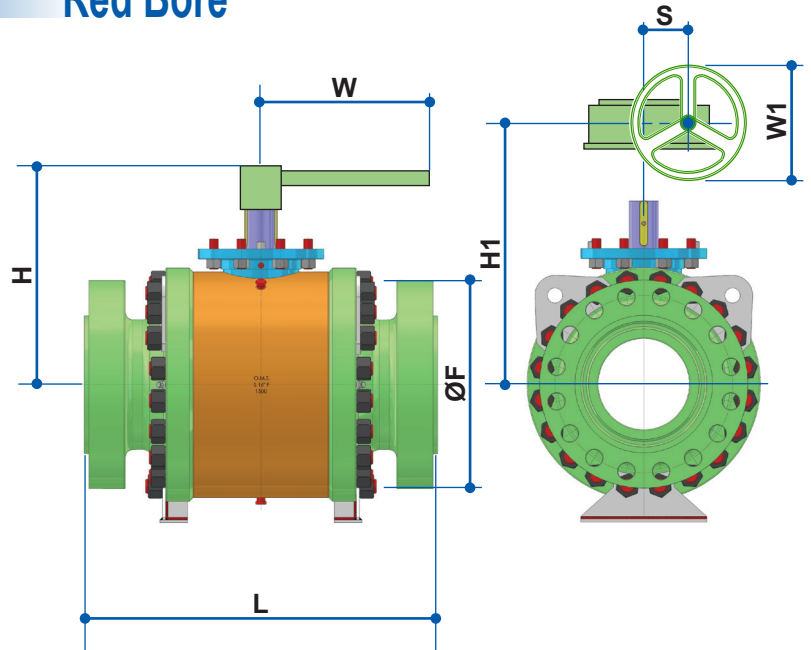
S7100T / S7200T / S7500 CR T / S7600 T HT

OMS Saleri S.p.A.

Via Valle Sabbia, 2
25076 Odolo (BS) Italy
Phone +39.0365.826610 r.a.
Fax +39.0365.826613
www.oms-saleri.it
e-mail: info@oms-saleri.it

Notes Red Bore

- All dimensions are in "mm".
- Here are indicated only standard valves dimensions; valves of other dimensions can be supplied on request.
- All weights are in "kg".
- Indicated weight does not include the valve opening/closing systems (levers, gear operators, actuators, etc...).
- **Other dimensions available on request**



Dimensions Ansi class 2500

SIZE (inch)	BORE	FACE TO FACE			ØF	H	H1	W	W1	S	WGT (kg)
		L-RF	L-RJ	L-BW							
2	38	451	454	451	235	265	170	800	300	52	100
3	44,5	578	584	578	305	-	250	-	400	66	220
4	63,5	673	683	673	356	-	339	-	700	84	356
6	89	914	927	914	438	-	352	-	500	93	772
8	133	1022	1038	1022	552	-	365	-	800	129	1390
10	181	1270	1292	1270	673	-	575	-	800	174	2417
12	226	1422	1445	1422	762	-	750	-	800	174	3745
14	226	1575	-	1575	-	-	527	-	800	174	4212
16	267	1683	-	1683	936	-	785	-	800	191	5329



Split Body Trunnion

S7100T / S7200T / S7500 CR T / S7600 T HT

OMS Saleri S.p.A.

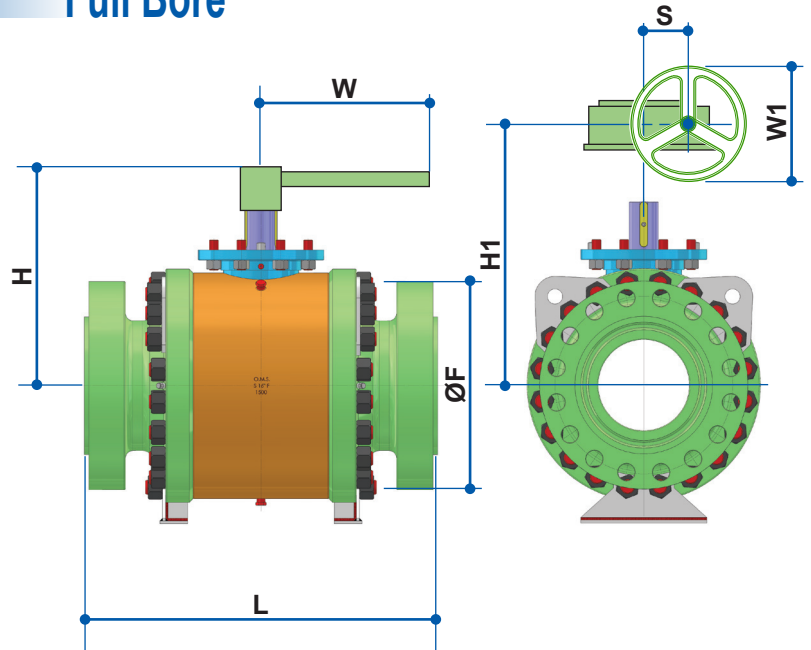
Via Valle Sabbia, 2
25076 Odolo (BS) Italy
Phone +39.0365.826610 r.a.
Fax +39.0365.826613
www.oms-saleri.it
e-mail: info@oms-saleri.it

Notes

- All dimensions are in "mm".
- Here are indicated only standard valves dimensions; valves of other dimensions can be supplied on request.
- All weights are in "kg".
- Indicated weight does not include the valve opening/closing systems (levers, gear operators, actuators, etc...).

- Other dimensions available on request

Full Bore



Dimensions

API class 5000

SIZE (inch)	BORE	FACE TO FACE			ØF	H	H1	W	W1	S	WGT (kg)
		L-RF	L-RJ	L-BW							
2.1/16	52	-	372	-	-	247	220	800	400	66	54
2.9/16	65	-	422	-	-	266	240	900	500	84	172
3.1/8	78	-	473	-	-	-	384	-	500	129	250
4.1/16	103	-	549	-	-	-	466	-	800	129	520
5.1/8	130	-	727	-	-	-	515	-	800	174	895
7.1/16	179	-	968	-	-	-	599	-	800	191	1651
9	228	-	1146	-	-	-	703	-	800	233	2432
11	279	-	1276	-	-	-	726	-	800	261	3354



Split Body Trunnion

S7100T / S7200T / S7500 CR T / S7600 T HT

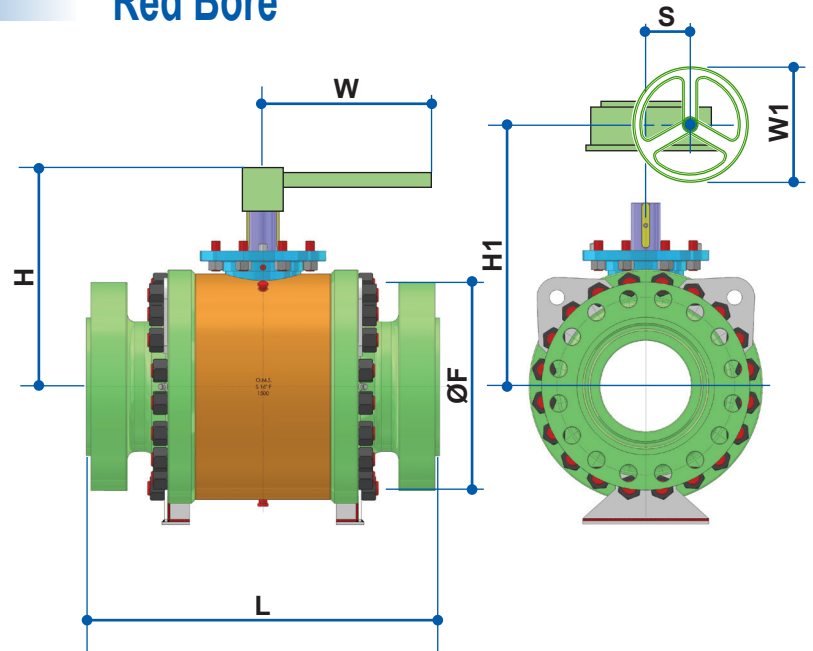
OMS Saleri S.p.A.

Via Valle Sabbia, 2
25076 Odolo (BS) Italy
Phone +39.0365.826610 r.a.
Fax +39.0365.826613
www.oms-saleri.it
e-mail: info@oms-saleri.it

Notes

- All dimensions are in "mm".
- Here are indicated only standard valves dimensions; valves of other dimensions can be supplied on request.
- All weights are in "kg".
- Indicated weight does not include the valve opening/closing systems (levers, gear operators, actuators, etc...).
- Other dimensions available on request

Red Bore



Dimensions

API class 5000

SIZE (inch)	BORE	FACE TO FACE			ØF	H	H1	W	W1	S	WGT (kg)
		L-RF	L-RJ	L-BW							
2.1/16	46	-	372	-	-	172	203	450	300	52	43
2.9/16	46	-	422	-	-	266	220	800	400	66	126
3.1/8	52	-	473	-	-	-	270	-	500	105	189
4.1/16	65	-	549	-	-	-	345	-	500	129	338
5.1/8	103	-	727	-	-	-	414	-	800	129	649
7.1/16	103	-	968	-	-	-	466	-	800	129	1268
9	179	-	1146	-	-	-	466	-	800	174	1952
11	228	-	1276	-	-	-	599	-	800	191	2268



Split Body Trunnion

S7100T / S7200T / S7500 CR T / S7600 T HT

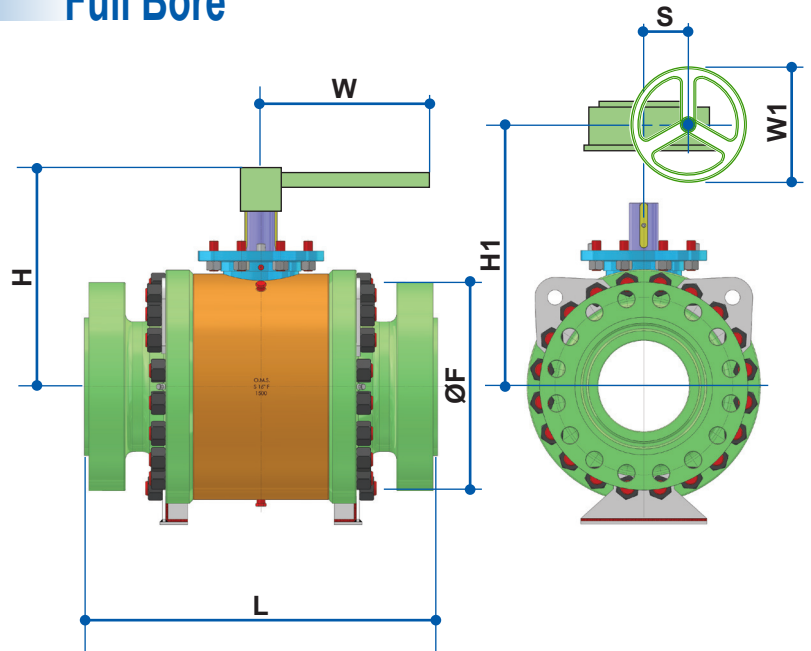
OMS Saleri S.p.A.

Via Valle Sabbia, 2
25076 Odolo (BS) Italy
Phone +39.0365.826610 r.a.
Fax +39.0365.826613
www.oms-saleri.it
e-mail: info@oms-saleri.it

Notes

- All dimensions are in "mm".
- Here are indicated only standard valves dimensions; valves of other dimensions can be supplied on request.
- All weights are in "kg".
- Indicated weight does not include the valve opening/closing systems (levers, gear operators, actuators, etc...).
- Other dimensions available on request

Full Bore



Dimensions

API class 10000

SIZE (inch)	BORE	FACE TO FACE			ØF	H	H1	W	W1	S	WGT (kg)
		L-RF	L-RJ	L-BW							
2.1/16	52	-	521	-	-	-	203	-	400	66	272
2.9/16	65	-	565	-	-	-	255	-	500	84	588
3.1/16	78	-	619	-	-	-	380	-	700	93	1168
4.1/16	103	-	670	-	-	-	430	-	500	129	3240
7.1/16	179	-	1038	-	-	-	530	-	500	174	4740
9	228	-	1295	-	-	-	665	-	800	174	7230
11	279	-	1549	-	-	-	840	-	800	191	9870



Split Body Trunnion

S7100T / S7200T / S7500 CR T / S7600 T HT

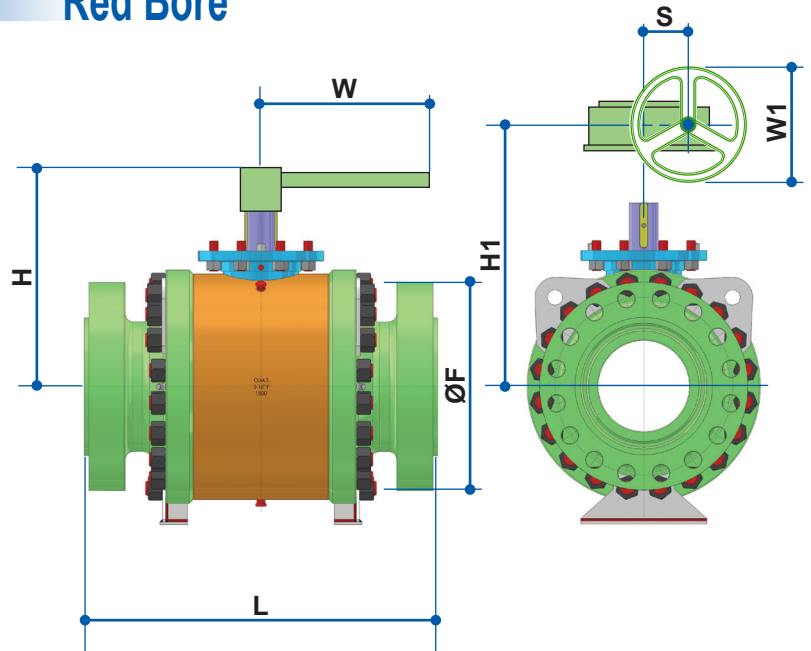
OMS Saleri S.p.A.

Via Valle Sabbia, 2
25076 Odolo (BS) Italy
Phone +39.0365.826610 r.a.
Fax +39.0365.826613
www.oms-saleri.it
e-mail: info@oms-saleri.it

Notes

Red Bore

- All dimensions are in "mm".
- Here are indicated only standard valves dimensions; valves of other dimensions can be supplied on request.
- All weights are in "kg".
- Indicated weight does not include the valve opening/closing systems (levers, gear operators, actuators, etc...).
- Other dimensions available on request



Dimensions

API class 10000

SIZE (inch)	BORE	FACE TO FACE			ØF	H	H1	W	W1	S	WGT (kg)
		L-RF	L-RJ	L-BW							
2.1/16	46	-	521	-	-	-	195	-	300	52	200
2.9/16	46	-	565	-	-	-	245	-	400	66	440
3.1/16	52	-	619	-	-	-	339	-	700	84	712
4.1/16	65	-	670	-	-	-	352	-	500	93	1544
7.1/16	103	-	1038	-	-	-	365	-	800	129	2780
9	103	-	1295	-	-	-	575	-	800	174	4834
11	179	-	1549	-	-	-	750	-	800	174	6290



Split Body Trunnion

S7100T / S7200T / S7500 CR T / S7600 T HT

OMS Saleri S.p.A.

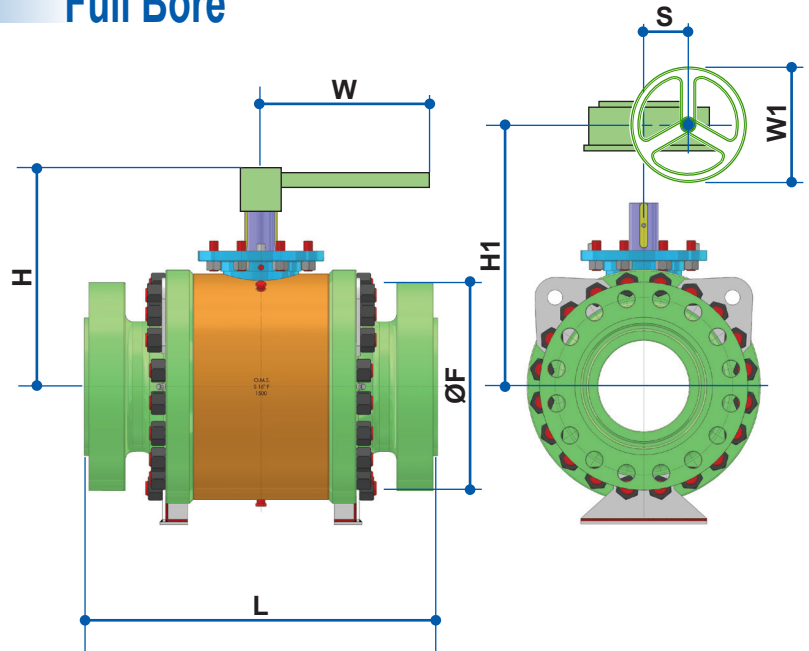
Via Valle Sabbia, 2
25076 Odolo (BS) Italy
Phone +39.0365.826610 r.a.
Fax +39.0365.826613
www.oms-saleri.it
e-mail: info@oms-saleri.it

Notes

- All dimensions are in "mm".
- Here are indicated only standard valves dimensions; valves of other dimensions can be supplied on request.
- All weights are in "kg".
- Indicated weight does not include the valve opening/closing systems (levers, gear operators, actuators, etc...).

- Other dimensions available on request

Full Bore



Dimensions

API class 15000

SIZE (inch)	BORE	FACE TO FACE			ØF	H	H1	W	W1	S	WGT (kg)
		L-RF	L-RJ	L-BW							
2.1/16	52	-	483	-	-	-	250	-	400	66	326
2.9/16	65	-	533	-	-	-	306	-	500	84	700
3.1/16	78	-	599	-	-	-	460	-	700	93	1401
4.1/16	103	-	737	-	-	-	520	-	500	129	2097
5.1/8	130	-	889	-	-	-	620	-	500	129	5688



Split Body Trunnion

S7100T / S7200T / S7500 CR T / S7600 T HT

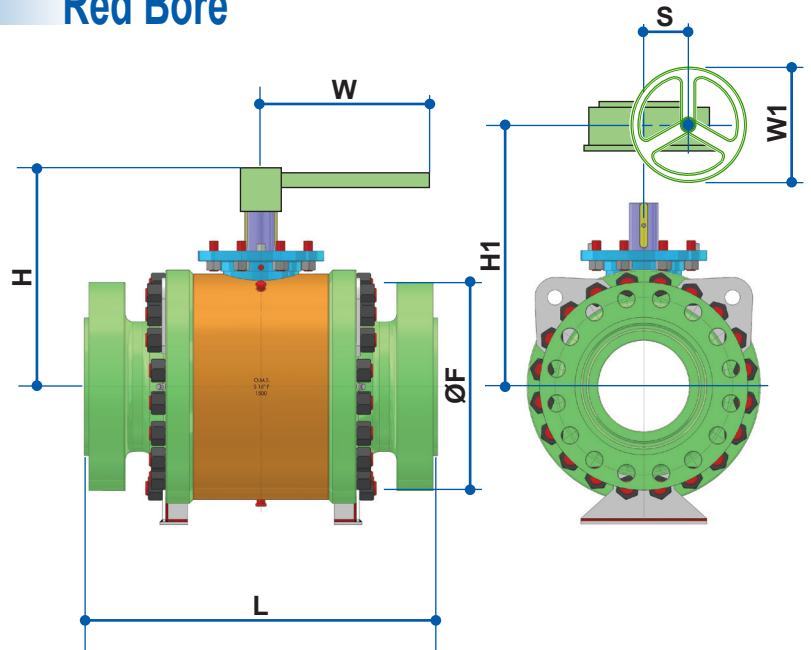
OMS Saleri S.p.A.

Via Valle Sabbia, 2
25076 Odolo (BS) Italy
Phone +39.0365.826610 r.a.
Fax +39.0365.826613
www.oms-saleri.it
e-mail: info@oms-saleri.it

Notes

Red Bore

- All dimensions are in "mm".
- Here are indicated only standard valves dimensions; valves of other dimensions can be supplied on request.
- All weights are in "kg".
- Indicated weight does not include the valve opening/closing systems (levers, gear operators, actuators, etc...).
- **Other dimensions available on request**



Dimensions

API class 15000

SIZE (inch)	BORE	FACE TO FACE			ØF	H	H1	W	W1	S	WGT (kg)
		L-RF	L-RJ	L-BW							
2.1/16	46	-	521	-	-	-	225	-	300	52	240
2.9/16	46	-	565	-	-	-	225	-	400	66	528
3.1/16	52	-	619	-	-	-	298	-	700	84	854
4.1/16	65	-	670	-	-	-	352	-	500	93	1852
5.1/8	103	-	1038	-	-	-	570	-	800	129	3336